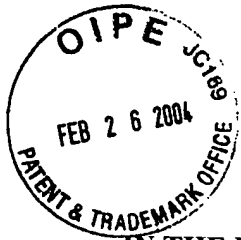


3727



IN THE UNITED STATES PATENT AND TRADEMARK OFFICE

In re Application of: :

Mark B. Littlejohn et al. : Examiner: T. Mai

U.S. Serial No. 09/978,484 : Group Art Unit: 3727

Filed October 17, 2001 :

Docket No. 2312 (FJ-00-39) :

For: DEEP DISH DISPOSABLE CONTAINER :

RECEIVED
MAR 01 2004
TECHNOLOGY CENTER R3700

Commissioner for Patents
P.O. Box 1450
Alexandria, Virginia 22313-1450

AMENDMENT TO DRAWINGS
AND SUBMISSION OF FORMAL DRAWINGS

Sir:

Applicant transmits herewith formal drawings for the above-noted patent application, including amended **Figures 4** and **5A** through **7D**. The amendments conform the **Figures** to the Examiner's requirement of no dimensions as such in the Office Action of November 28, 2003. A marked-up copy in compliance 37 CFR 1.84 as amended, is included herewith.

The changes are supported in the specification as filed at pages 16 and 19.

No new matter is introduced by way of the amendments.

Respectfully submitted,



Michael W. Ferrell
Attorney for Applicant
Reg. No. 31,158

Ferrells, PLLC
P.O. Box 312
Clifton, Virginia 20124-1706
Telephone: (703) 968-8600
Facsimile: (703) 968-5500
February 23, 2004

Attachments: Sheets 1 and 2 containing **Figures 1A-B, 2A-2C**;
 New Sheet 3, **Figures 3** and 4;
 Annotated Sheet 3 showing changes;
 New Sheet 4, **Figures 5A-5C**;
 Annotated Sheet 4, showing changes;
 New Sheet 5, **Figures 6A-6C** and **7A-7D**
 Sheets 6-12 containing **Figures 8A-8C, 9-12, 13A-13C** and **14-17**

CERTIFICATE OF MAILING BY FIRST CLASS MAIL (37 CFR 1.8)

Applicant(s): Mark B. Littlejohn et al.

Docket No.

2312 (FJ-00-39)

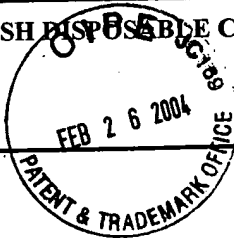
Serial No.
09/978,484

Filing Date
October 17, 2001

Examiner
T. Mai

Group Art Unit
3727

Invention: DEEP DISH DISPOSABLE CONTAINER



I hereby certify that this Amendment to Drawings & Submission of Formal Drawings and return postcard
(Identify type of correspondence)

is being deposited with the United States Postal Service as first class mail in an envelope addressed to:

Commissioner for Patents, P.O. Box 1450, Alexandria, VA 22313-1450 on February 24, 2004
(Date)

Carol R. Maddaloni

(Typed or Printed Name of Person Mailing Correspondence)

A handwritten signature in cursive script that reads "Carol R. Maddaloni".

(Signature of Person Mailing Correspondence)

Note: Each paper must have its own certificate of mailing.

RECEIVED

MAR 01 2004

TECHNOLOGY CENTER R3700

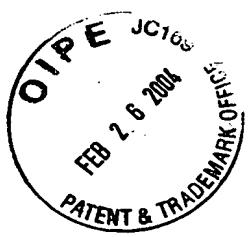


FIG. 3

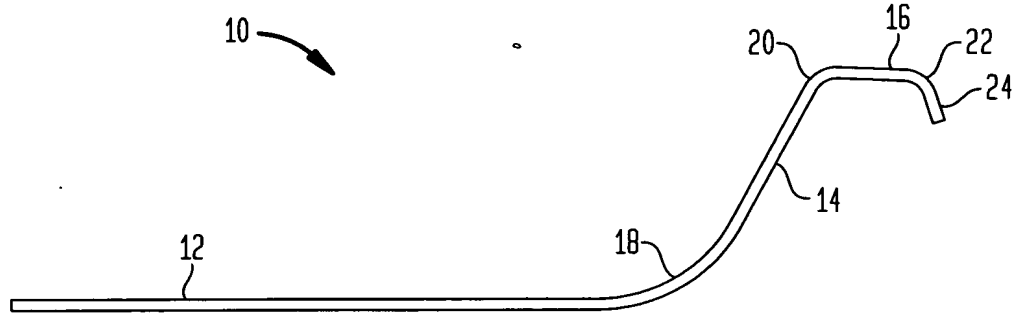
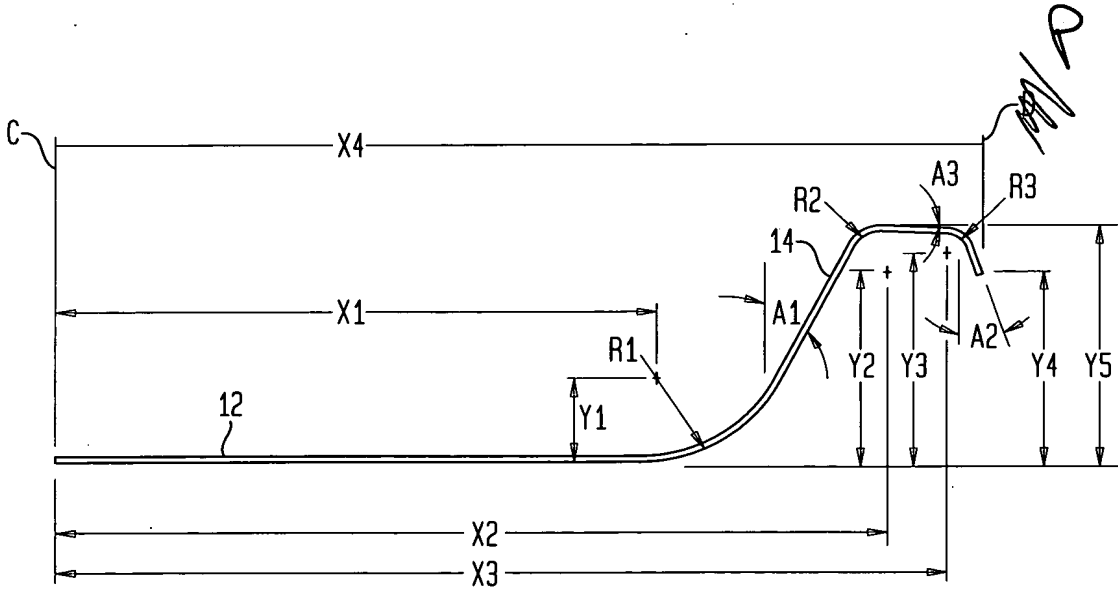
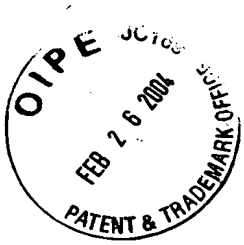


FIG. 4





4/12

FIG. 5A

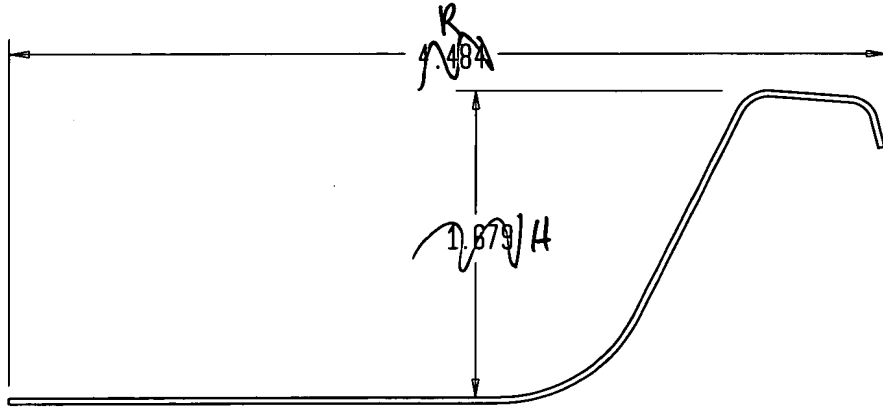


FIG. 5B

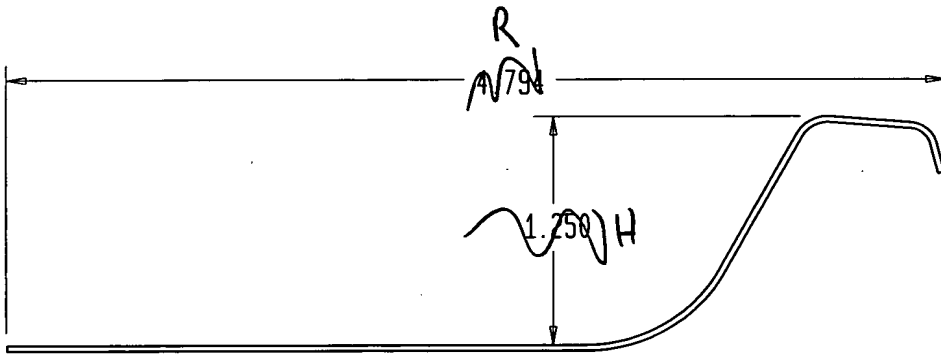
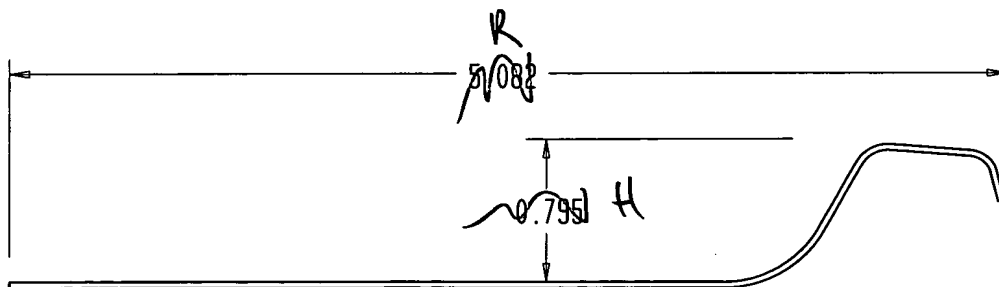
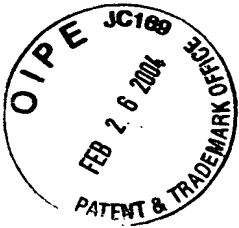


FIG. 5C





5/12

FIG. 6A

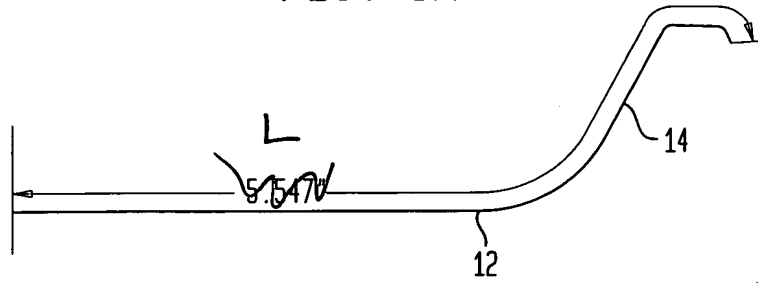


FIG. 6B

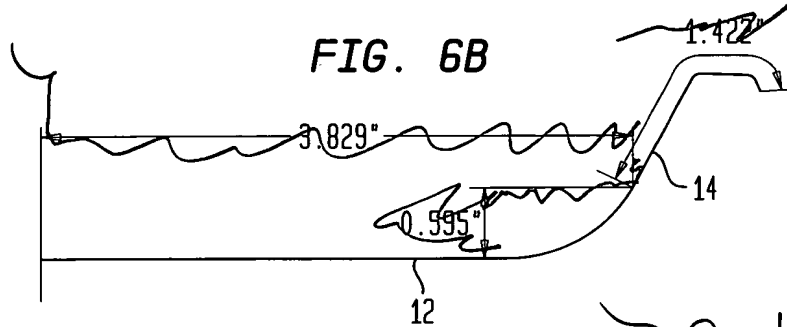


FIG. 6C

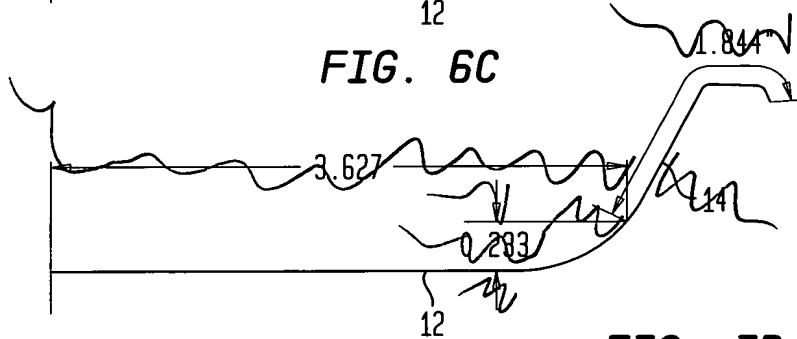


FIG. 7A

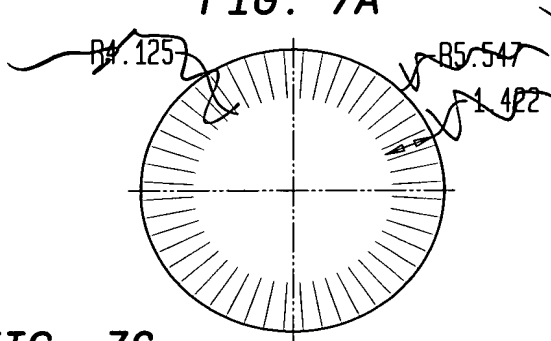


FIG. 7B

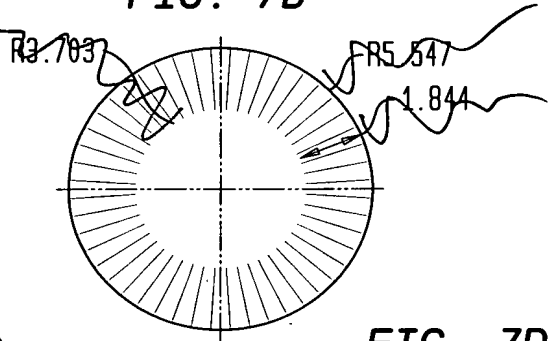


FIG. 7C

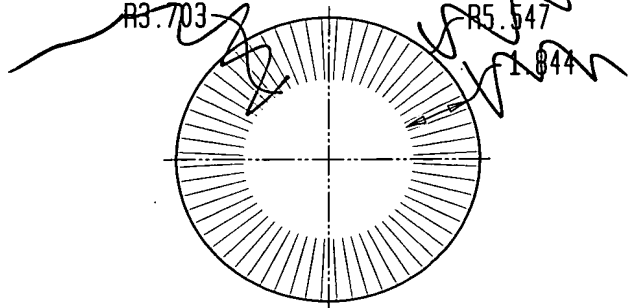


FIG. 7D

